A diagram consisting of a grid of lines. A vertical line is on the left, and two horizontal lines are spaced apart. A diagonal line starts from the top right and goes down to the bottom right, crossing the lower horizontal line. The number '2' is centered in the space between the two horizontal lines.

2

3

4

5

6

7

8

9

10

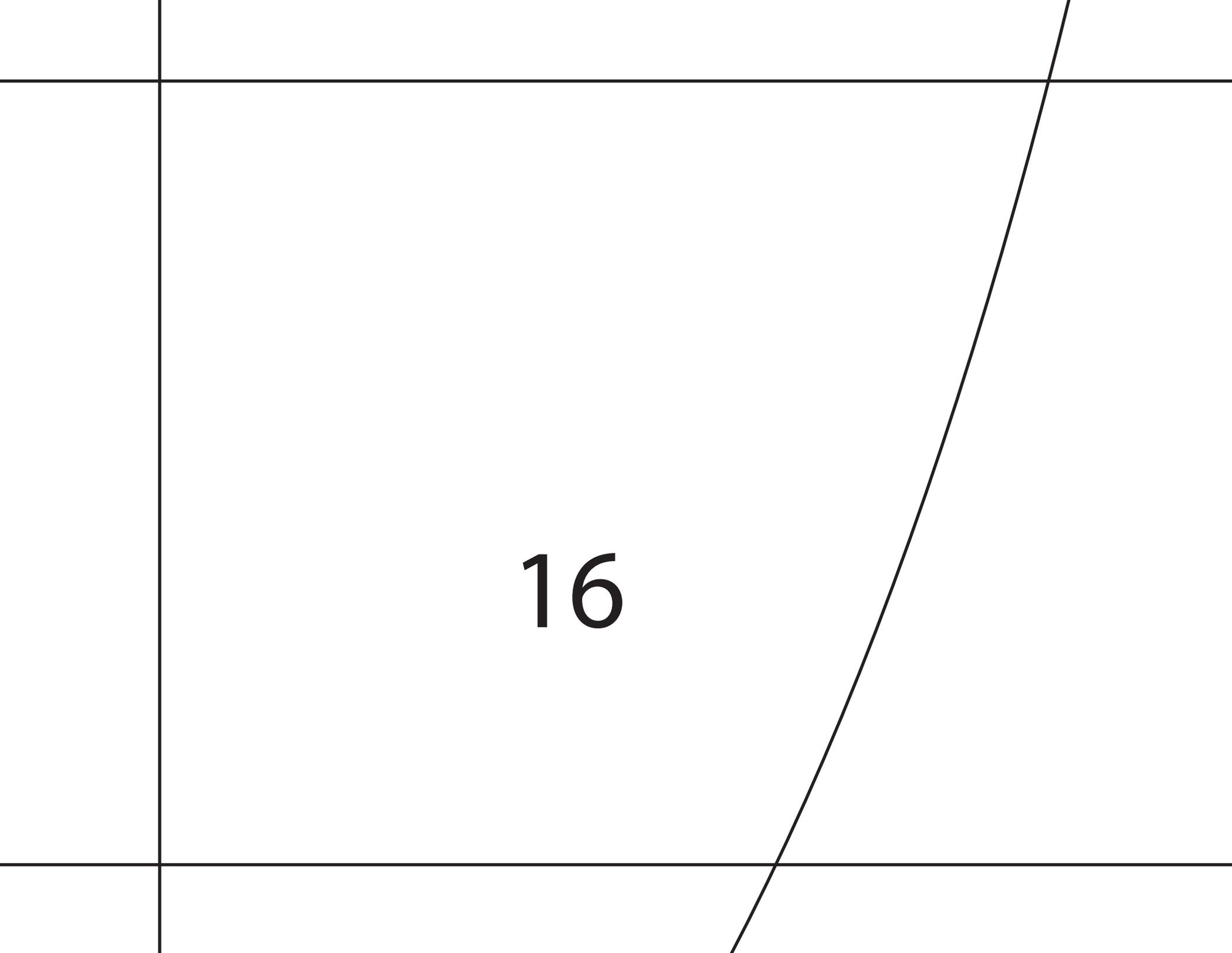
11

12

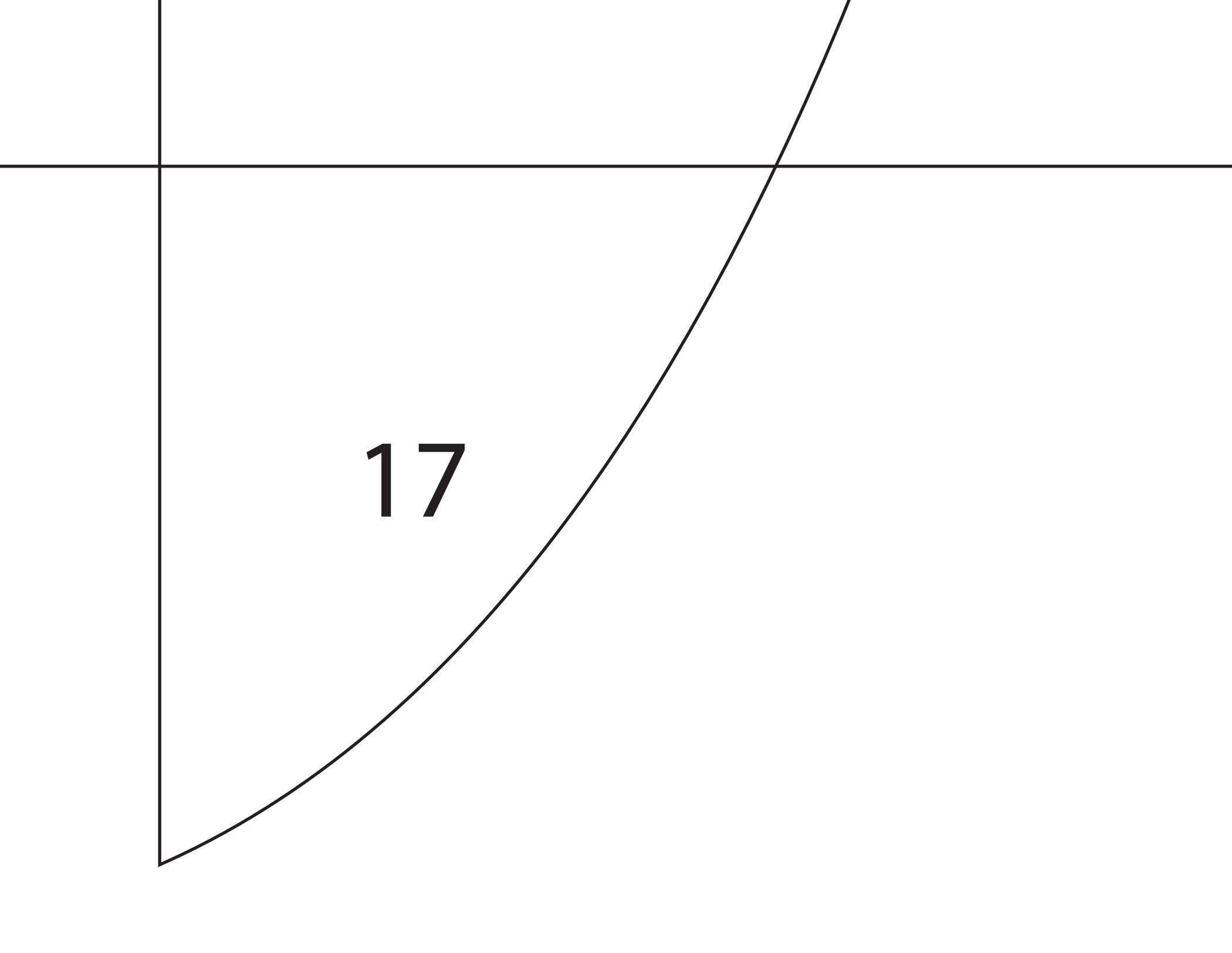
13

14

15

A diagram consisting of a grid of lines. A vertical line is on the left, and two horizontal lines are spaced apart. A diagonal line starts from the bottom-left and goes towards the top-right, crossing the two horizontal lines. The number '16' is centered in the space between the two horizontal lines.

16



17